

Specification
Constant Current
LED Driver



Specification

Constant Current LED Driver

Model: GSS-100C-56B

Spec: 100W LED Driver

Version: V1.0

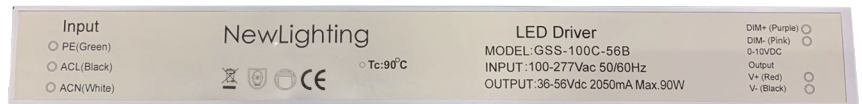
Specification Constant Current LED Driver



GSS-100C-56B

Product Feature

1. Isolation scheme, High PF, Low THD
2. Constant Current Output
3. Low Ripple Current
4. Efficiency > 89%
5. Isolated Dimming: 0/1-10V, PWM, Resister
6. Protections: SCP/OCP/OVP/OTP
7. Lighting protection: CM 4KV/DM 4KV
8. Suffix "**", B for dimming, H for auxiliary power 12V



Input Characteristics

Item	Min.	Typ.	Max.	Remark
Voltage	100Vac		277Vac	
Frequency	47Hz	50/60Hz	63Hz	
I _{max}			1.1A	100Vac, full load
PF	0.95	0.97		220Vac/50Hz, full load
	0.9			120-277Vac/50Hz, 70-100%, load
THD		8%	10%	220Vac/50Hz, full load
			15%	120-277Vac/50Hz, 70-100%, load
P _{in}			105W	100Vac, full load

Specification
Constant Current
LED Driver



Output Characteristics

Item	Min.	Typ.	Max.	Remark
Rated Current		2.05A		
Output Voltage Range	36V		56V	
Open-Circuit Voltage		60V		
Rated Power			90W	
Efficiency		88%		120Vac@42Vdc
		89%		220Vac@42Vdc
Current Accuracy	-5%		5%	
Run-up Time		≤1S		120Vac@42Vdc
		≤1S		220Vac@42Vdc
Line Regulation		< 2%		Rated output voltage
Load Regulation		< 2%		Rated input voltage

Specification Constant Current LED Driver



Other Performance

	Item	Min.	Typ.	Max.	Remark
0-10V Dimming (Optional)	Max Voltage	0V		12V	
	DIM Range	10%		100%	
	DIM Voltage	1V		10V	
PWM Dimming (Optional)	PWM High Level	3.3V		10.2V	
	PWM Low Level	0V		1V	
	PWM Frequency	500Hz		5KHz	
	PWM Duty	10%		100%	
Resistor Dimming (Optional)	DIM Resistance	10KΩ		100KΩ	
	DIM Range	10%		100%	
Dim to off	Turn off Voltage	3%	5%	7%	According to the voltage/ PWM/Resistor ratio
	Turn on Voltage	5%	7%	9%	

Specification Constant Current LED Driver



Environmental Requirements

Item	Min.	Typ.	Max.	Remark
Tc	-40°C	25°C	90°C	
Life Time		50000H		100%, load@Tc75°C
Tst	-40°C	25°C	90°C	
Operating Humidity	10%RH		90%RH	non-condensing
Store Humidity	5%RH		95%RH	
Pressure	70KPa		106KPa	

Safety&EMC

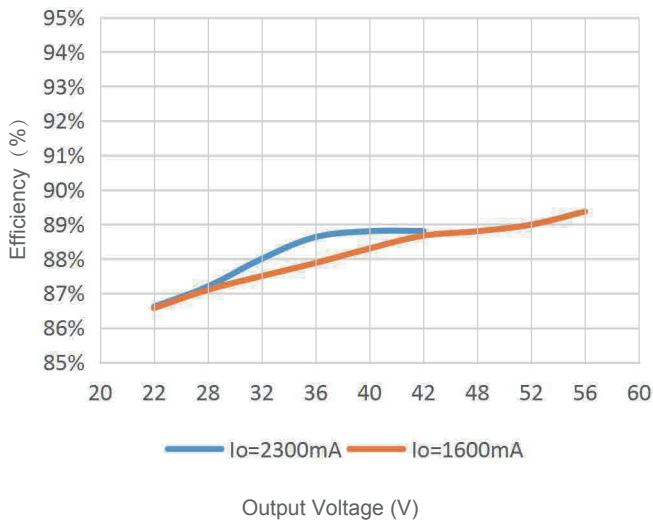
Item	Standard	Remark
Safety Standard	UL8750	
Hi-Pot	1600Vac	Basic insulation
Insulation Resistance	≥10MΩ	500Vdc, 25°C, 70%RH
CE&RE	FCC CLASS B	
Surge	EN61000-4-5	L-N: 4KV L-PE: 4KV N-PE: 4KV

Specification Constant Current LED Driver

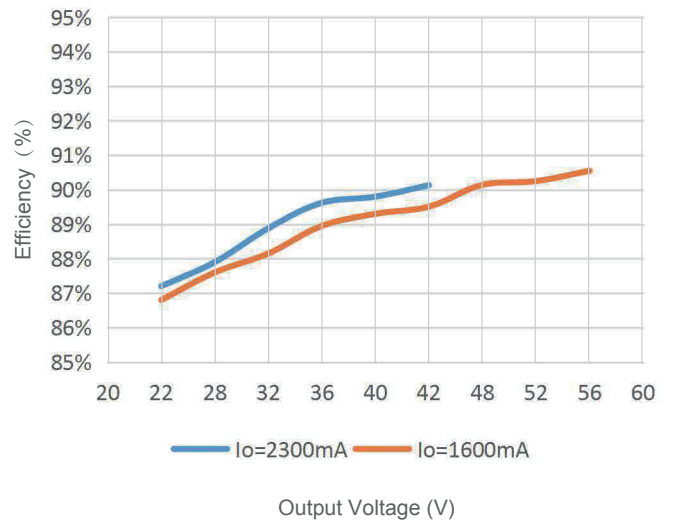


Characteristic Curve

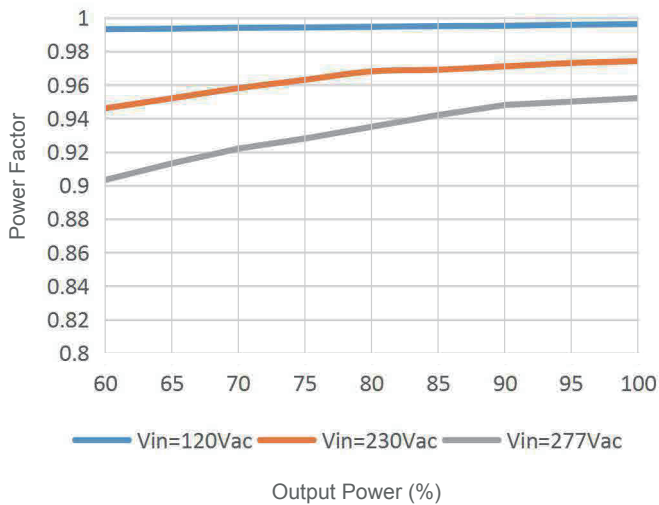
Efficiency VS Vout(Vin=120Vac)



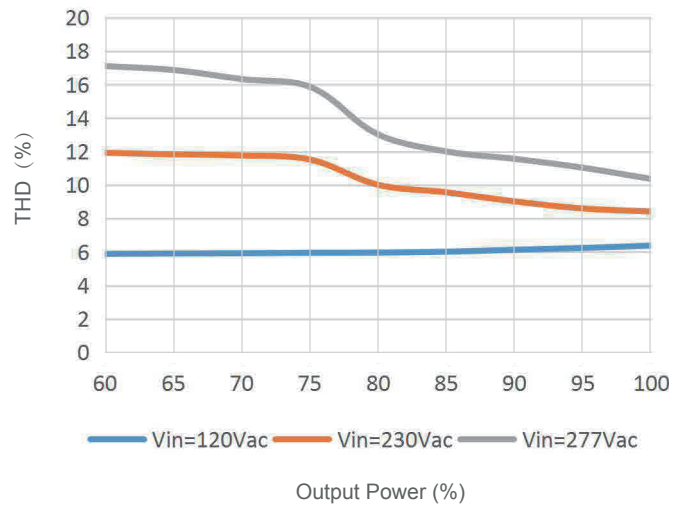
Efficiency VS Vout(Vin=230Vac)



Power Factor VS Output Power



THD VS Output Power

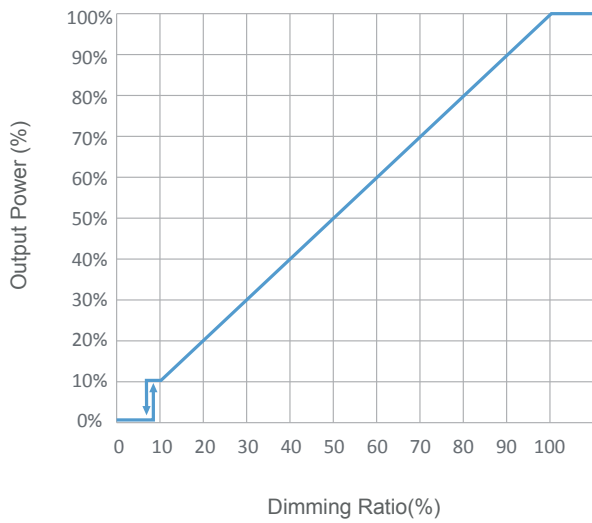


Specification Constant Current LED Driver

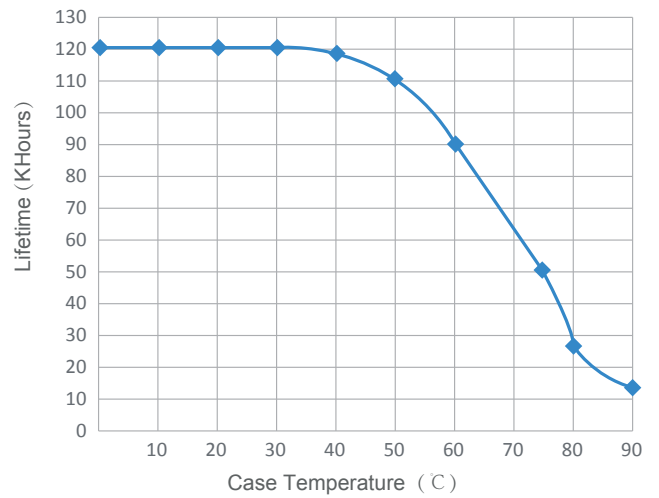


Characteristic Curve

Output Power VS Dimming



Lifetime(Khours) VS Case Temperature



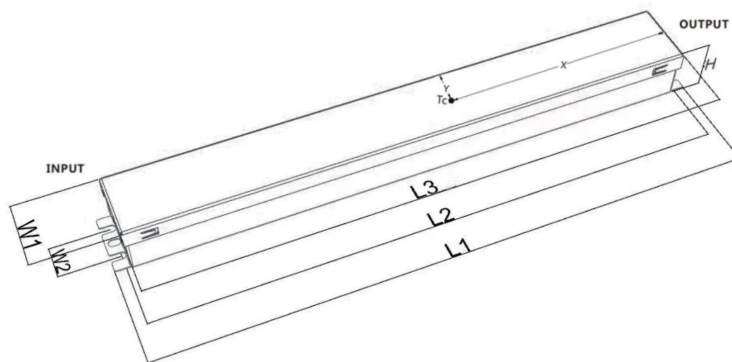
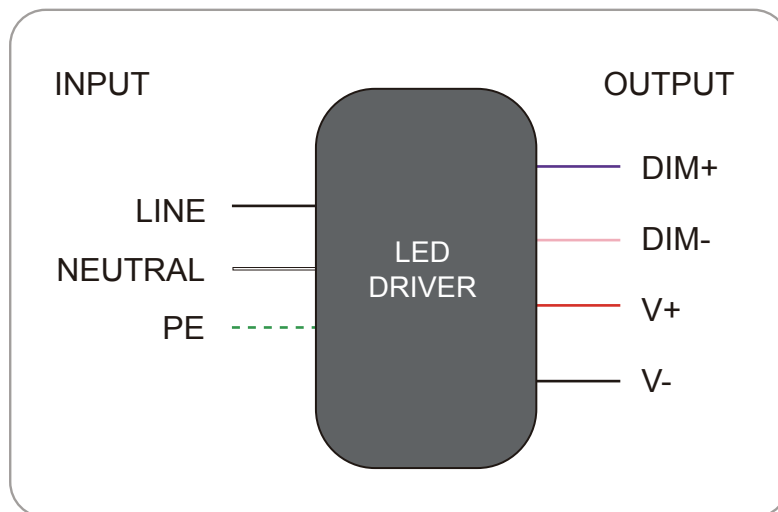
Specification Constant Current LED Driver



2D Structure

Name Description	Standard Code	mm(In.)
Case Length	L3	285(11.22)
Case Width	W1	34(1.34)
Case Height	H	27(1.06)
Overall Length	L1	300(11.81)
Mounting Hole Length	L2	289(11.38)
Mounting Hole Width	W2	17(0.67)
TC Point Position	X	110(4.33)
TC Point Position	Y	15(0.59)

Wiring Diagram



Structure

Item	TYP.	Remark
Weight	600g	
Size	300mm*34mm*27mm	L*W*H
Input Wire	1015/600V/18AWG(黑:L,白:N,绿:PE)	UL
Output Wire	1015/600V/18AWG(红:LED+,黑:LED-)	UL
Dim Wire/AUX Wire	1569/300V/22AWG(紫: DIM+,粉: DIM-)	UL